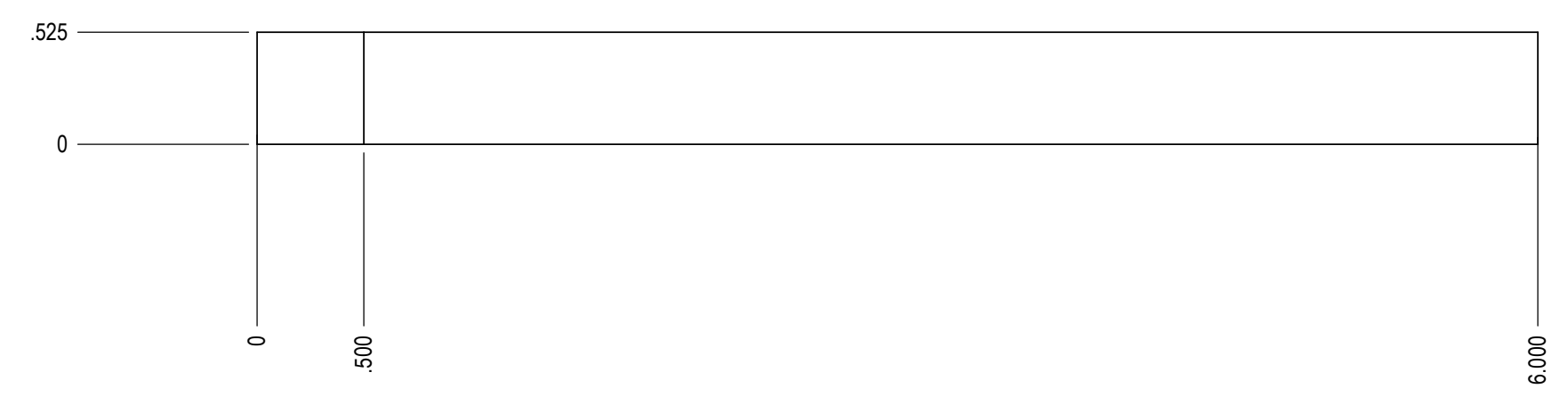
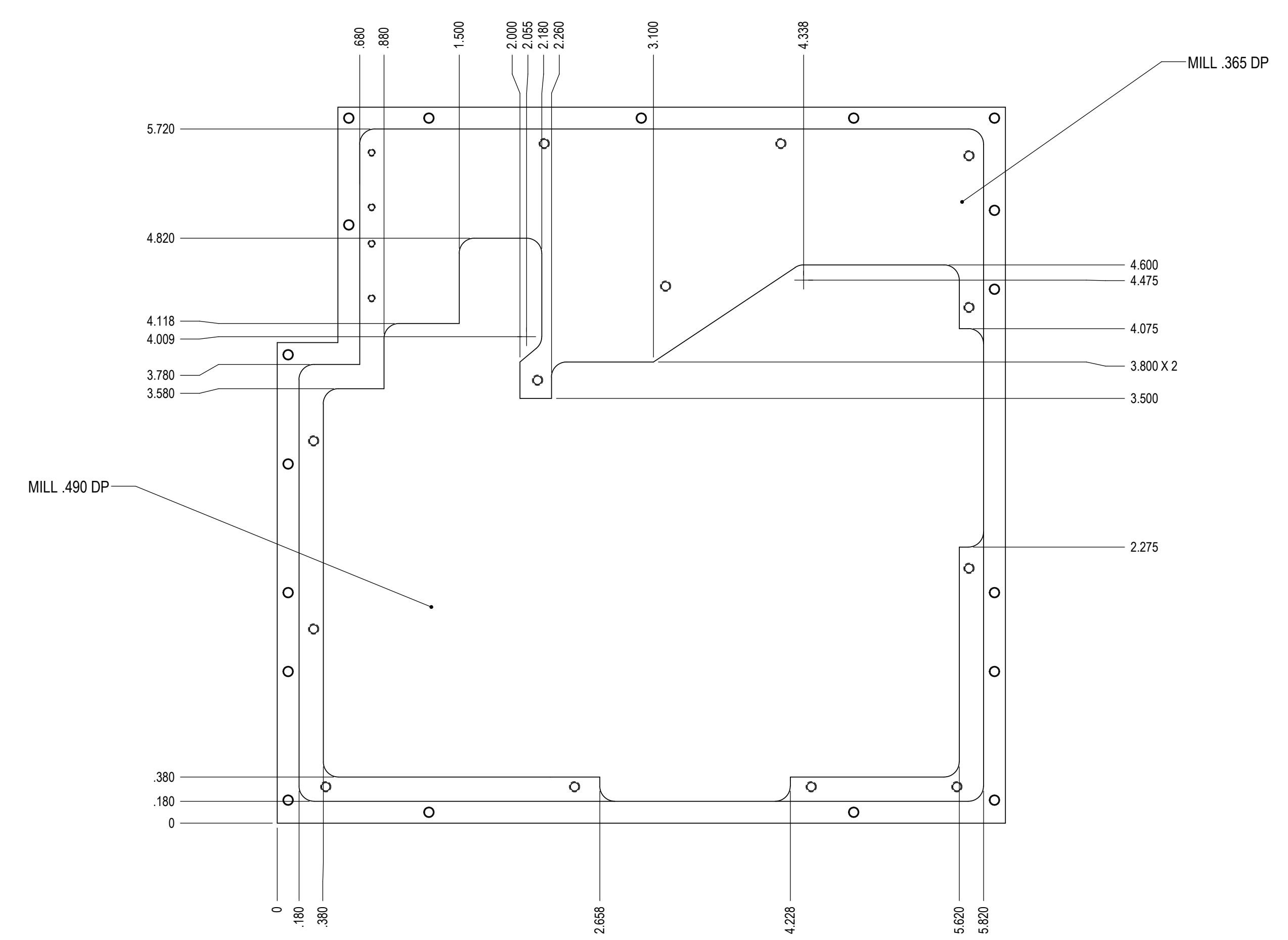


REVISIONS				
ZONE	LTR	DESCRIPTION	DATE	APPROVED
		RELEASED	12-5-05	
A		Changed C holes to 2-56	1/9/06	

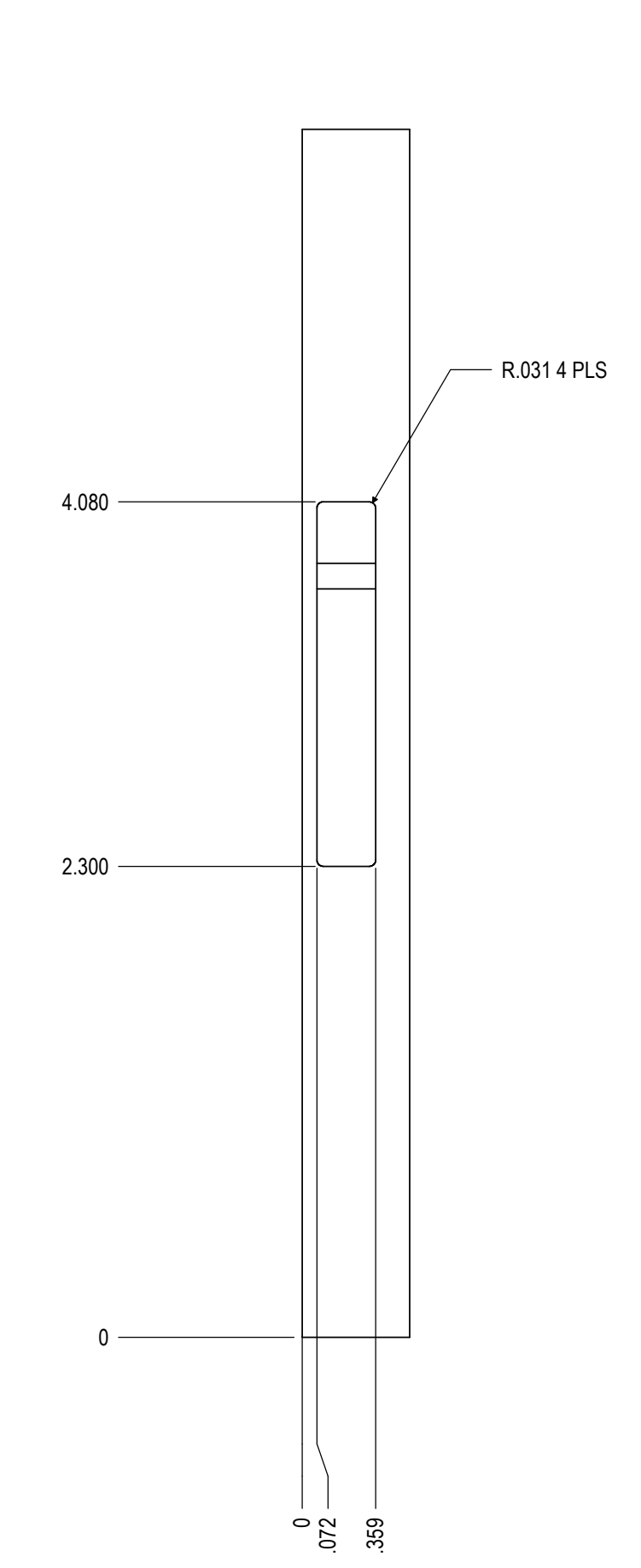
DWG NO 380-010148-001



TOP VIEW

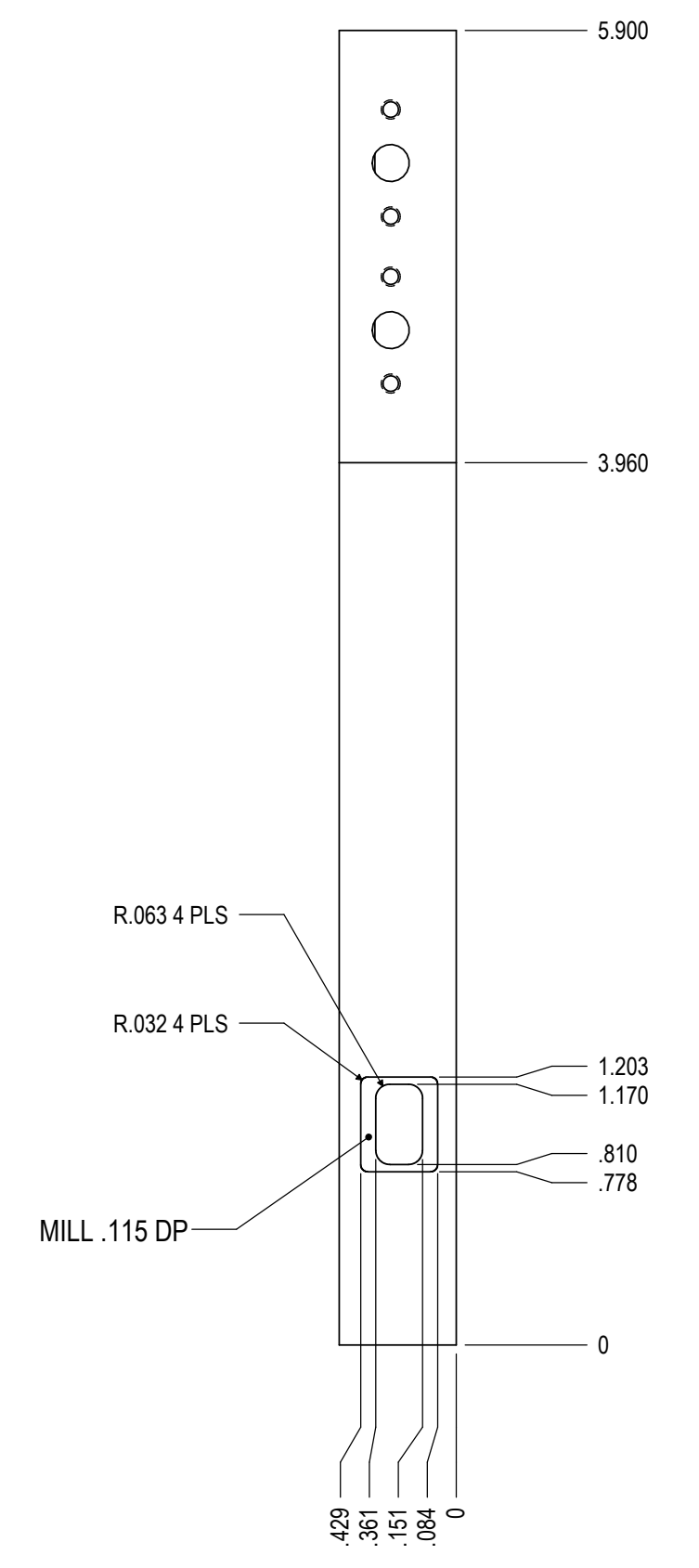


FRONT VIEW

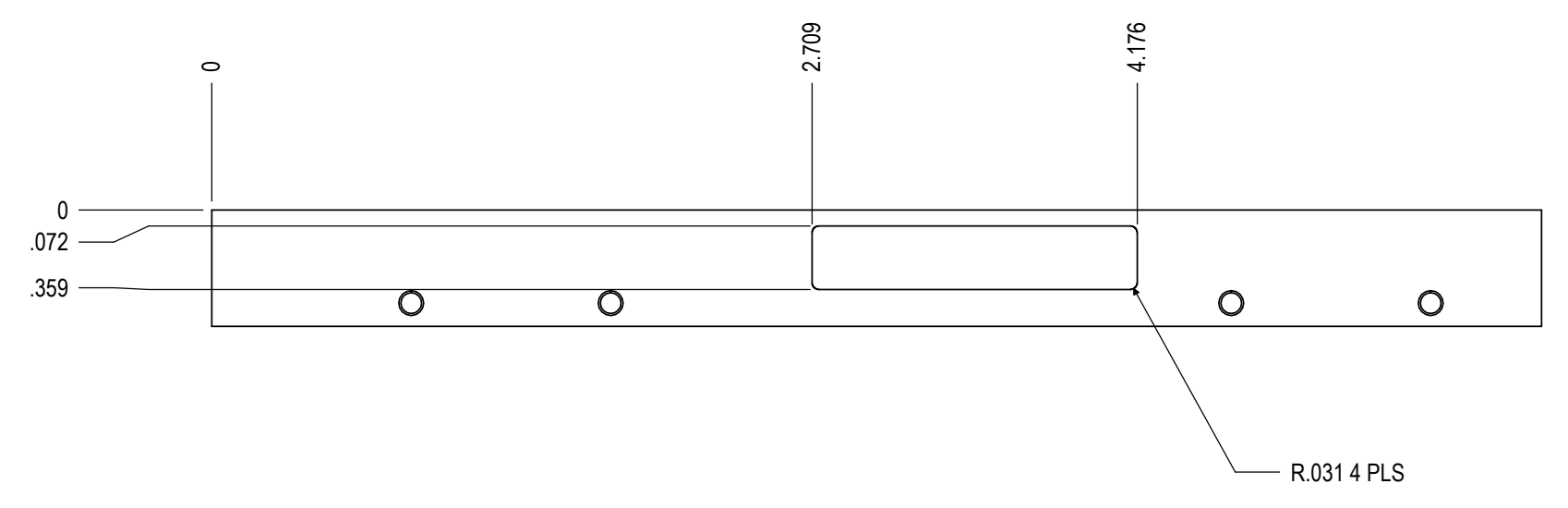


RIGHT SIDE VIEW

**NOTES:**  
1. ALL RADII .125, UNLESS OTHERWISE NOTED



LEFT SIDE VIEW

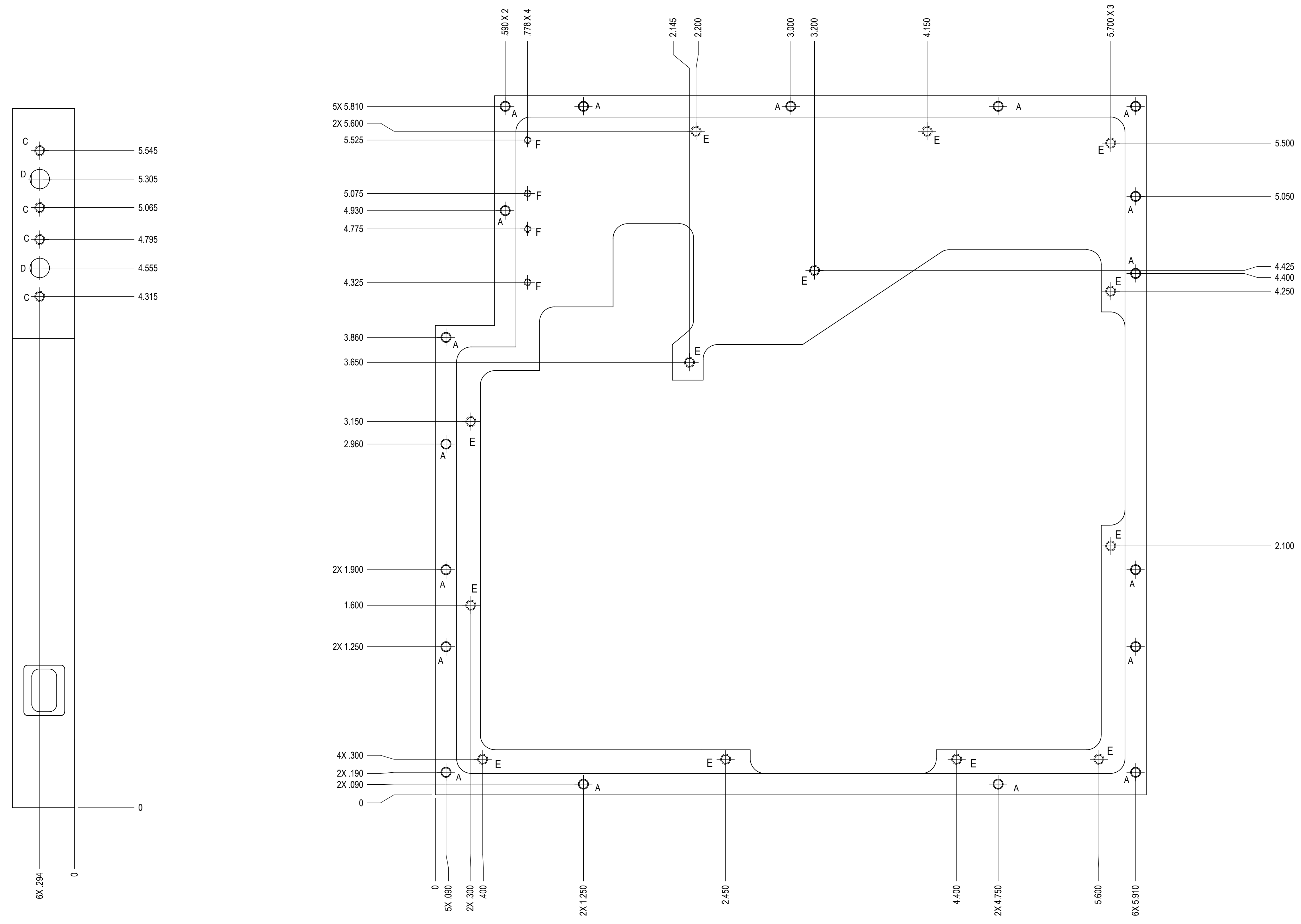


BOTTOM VIEW

<b>MATERIAL:</b> AL 6061 <b>FINISH:</b> TUMBLE GOLD CHROMATE NEXT ASSY	CONTRACT NO.	<b>PRAXSYM, INC.</b> 120 South Third Street Fisher, IL 61943 (217) 897-1744	<b>HOUSING, 6.00 X 5.90 X 0.525, DDS/CONTROLLER</b>	DATE	12-5-05	REV	1
	CONTRACTOR			APPROVED			
	DRAWN BY	ENGINEER	SCALE	D	1FYT4	DWG NO	380-010148-001
	CHECKED BY	PRODUCTION	RENAME	010148.SLDDRW	SHEET	1	OF

REVISIONS				
ZONE	LTR	DESCRIPTION	DATE	APPROVED
		RELEASED	12-5-05	
A		Changed C holes to 2-56	1/9/06	

DWG NO 380-010148-001



**HOLE PLAN:**  
A - TAP 2-56 .200 DP, 18 PLS  
B - TAP 4-40 .150 DP, 4 PLS  
C - TAP 2-56 THRU, 4 PLS  
D - DRILL .166 Ø THRU, 2 PLS  
E - TAP 2-56 .090 DP, 13 PLS  
F - TAP 0-80 .080 DP, 4 PLS

MATERIAL: AL 6061	CONTRACT NO. CONTRACTOR	ENGINEER	PRAXSYM, INC.	120 South Third Street Fisher, IL 61943 (217) 897-1744
FINISH: TUMBLE GOLD CHROMATE	DESIGNED BY CHECKED BY Q.C.	PRODUCTION MECHANICAL	HOUSING, 6.00 X 5.90 X 0.525, DDS/CONTROLLER	
NEXT ASSY	DESIGN ACTIVITIES APPROVAL	SCALE	DWG NO 380-010148-001	REV A
APPLICATION		SCALE	FILENAME 010148.SLDDRW	SHEET 2 of 2

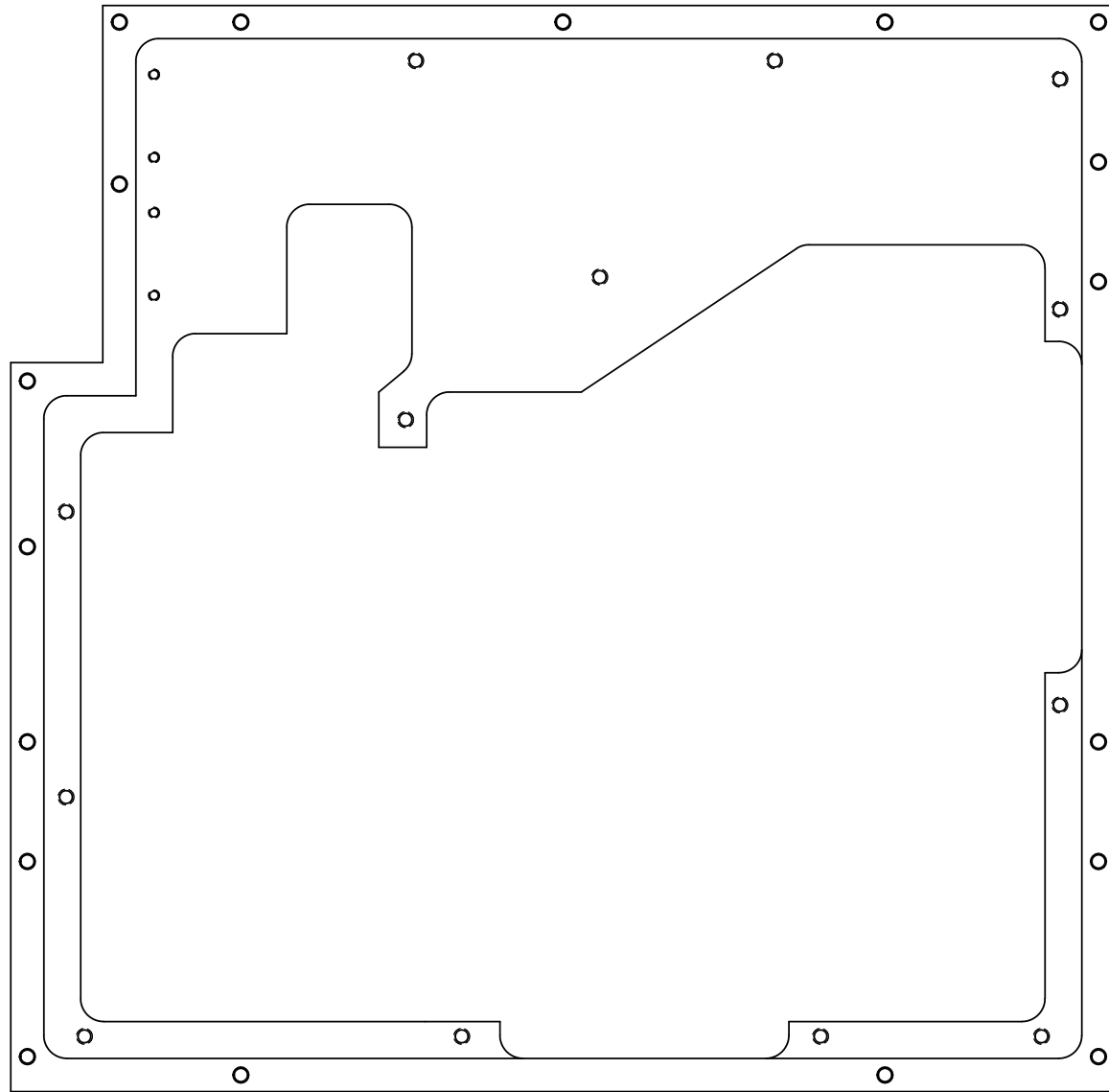
A B C D E F G H

1

2

3

4



REVISIONS					REV	P
ZONE	LTR	DESCRIPTION	DATE	APPROVED		

DWG NO

1

2

3

4

A B C D E F G H

MATERIAL:		CONTRACT NO.			<b>PRAXSYM, INC.</b> 120 South Third Street Fisher, IL 61843 (217) 897-1744
	FINISH:		DRAWN BY	ENGINEER	
			CHECKED BY	PRODUCTION	
			Q.C.	MECHANICAL	
		DESIGN ACTIVITIES APPROVAL			
NEXT ASSY	USED ON				SIZE <b>B</b> FSCM <b>1FYT4</b> DWG NO <b> </b> REV <b>P</b>
					SCALE <b> </b> FILENAME <b> </b> SHEET <b> </b> OF <b> </b>